



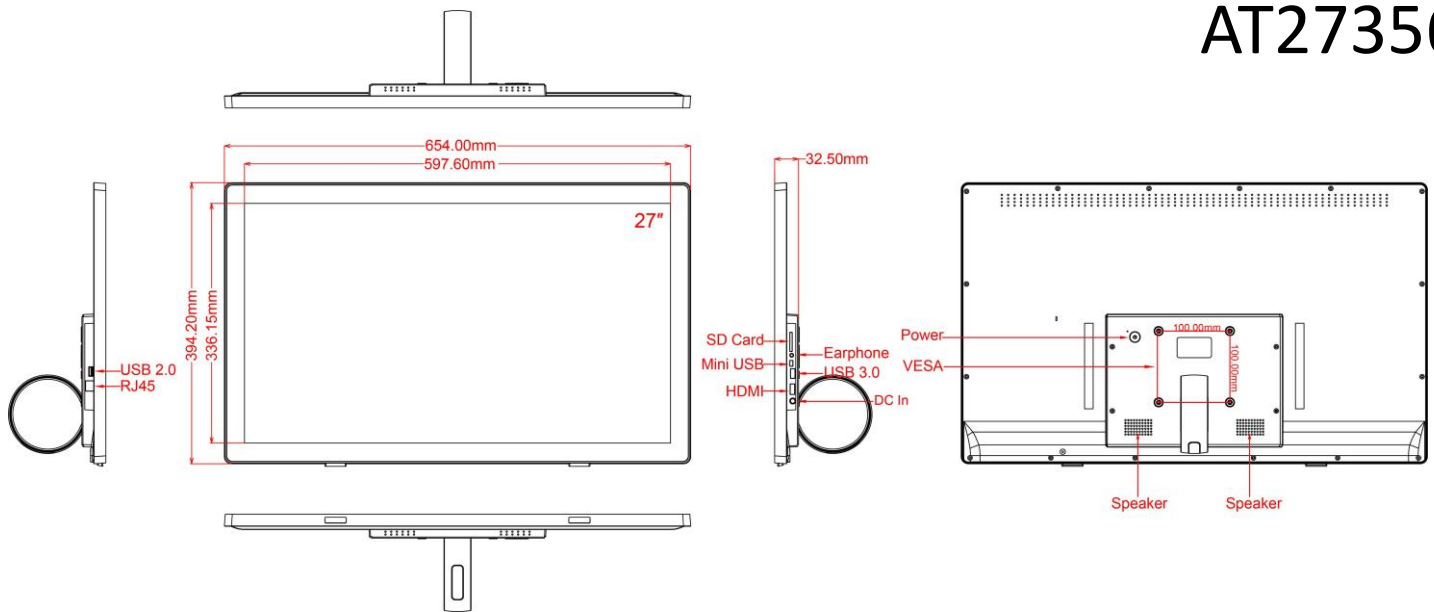
27" Android Touch AT27356



Features:

- RK3568 Quad core cortex A55
- Android 11 operating system
- 27" touch LCD panel
- FHD (1920x1080) resolution
- 10-point capacitive touch
- Built-in 5.0MP camera
- Front panel IP65 waterproof design
- Support VESA mount and table stand
- Support vertical and horizontal use

AT27356



Model name		AT27356
System	CPU	RK3568 Quad core cortex A55
	RAM	2GB
	Internal memory	16GB
	Operation System	Android 11
	Touch	10-point capacitive touch
Display	Panel	27" LCD HD panel
	Resolution	1920*1080
	Viewing angle	85/85(H), /85/85(V)
	Display mode	Normally black
	Contrast ratio	800
	Luminance	250cdm2
	Aspect Ratio	16:9
	Network	WiFi
Ethernet		100M/1000M Ethernet
Bluetooth		Bluetooth 4.2
Interface	Card slot	SD, support up to 64GB
	Mini USB	USB OTG
	USB	USB host 3.0
	USB	USB host 2.0
	Power Jack	DC power input
	RJ45	Ethernet interface
	HDMI	HDMI output
	Earphone	3.5mm earphone

Media plays	Video format	MPEG-1, MPEG-2, MPEG-4, H.265, H.264, VC-1, VP8, VP9, etc., support up to 4K
	Audio format	MP3/WMA/AAC etc.
	Photo	JPEG
Others specs	Speaker	2*3W
	Camera	5.0MP
	NFC	Yes (option by request)
	Micphone	Yes
	VESA	100x100mm
	Language	Multi-language
	Working temp	0°C~40°C degree
Accessories	Certificates	CE, FCC, RoHS
	Adapter	Adapter, 12V/4A
	User manual	Yes
	Stand	Yes

*Please note that product specifications are subject to change without notice

Supports



Android 11



AOPEN

AOPEN Headquarter
New Taipei City,
Taiwan

AOPEN America
San Jose,
USA

AOPEN Europe
Rosmalen,
Netherland

AOPEN Australia
Melbourne,
Australia

AOPEN Japan
Tokyo,
Japan

AOPEN China
Shanghai,
China

v1.0