

Small & Ruggedized IPC

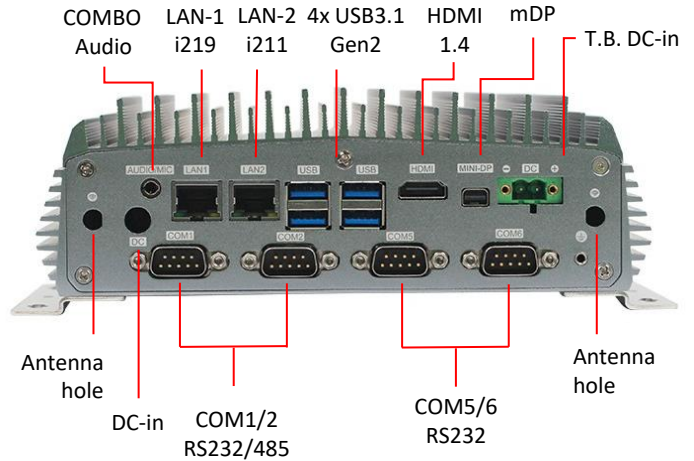
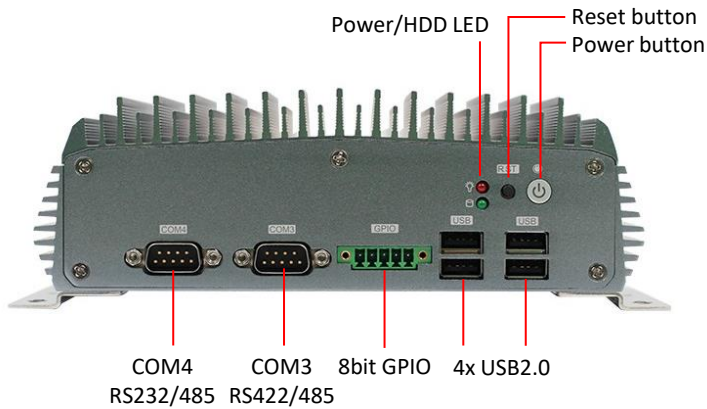
Fanless/Wide range DC Input /
Wide range operating Temperature

DEM5091

The DEM5091 is a fanless design IPC with an Intel® 8th generation processor; the built-in industrial MB offers a small form factor with flexible I/O and expansion slots for embedded applications. DEM5091 provides System Integrators a fast, convenient and simplified solutions such as machine automation, transportation, digital signage, IoT gateways and Edge Intelligence Servers.

- Intel® 8th generation processor, TDP <=15W
- HEVC/H.265 and VP9 video playback
- Flexible I/O and expansion slots
- Fanless design
- Wide range operating temperature -20°C ~ 60°C (-4°F ~ 140°F)
- Wide range DC-Input 9-36V

DEM5091



Model		DEM5091
Color		Silver
Dimension	W x H x D (mm)	200 x 70.6 x 122.5 mm
	W x H x D (inch)	7.87 x 2.78 x 4.82 inch
Weight	Net Weight	1.38 kg / 3.04 lb
	Gross Weight	2.06 kg / 4.53 lb
CPU	Type	Intel® 8 th Gen Processor, TDP <= 15W
Memory	Channels	Single Channel
	Type	DDR4 SO-DOMM x1
	Data Rate	2400 MHz
	Max Memory	32GB
Graphics		Intel® UHD Graphics 620
Expansion Slot		mPCIe full size x1, mSATA x1 M.2 slot x 1, 2230 (key E for wifi)
Audio	Type	Realtek HD Audio
	Channel	Stereo
LAN		Intel® Gigabit LAN i219LM & i211AT 10/100/1000Mbps
Storage Bay	2.5" SATA HDD	SSD x1
	M.2 SSD	-

Front Panel I/O	USB 2.0 Port		X 4
	USB 3.1 Port		-
	Others		Power Button x1, Power LED x1, HDD LED x1, Reset button x1, COM3 RS422/485 x1, COM4 RS232/485 x1, 8 bit GPIO x1
Rear Panel I/O	DC Jack		DC 9 ~ 36V input x2 (5525 x1, Phoenix T.B. x1)
	HDMI 1.4 Port		X 1 (4096x2160@30Hz)
	HDMI 2.0 Port		-
	DisplayPort		miniDP X 1 (4096x2304@60Hz)
	USB 2.0 Port		-
	USB 3.1 Port		X 4
	RJ45 LAN Jack		X 2
	COM Port		X 4 (COM 1/2 RS232 /485 x2, COM5/6 RS232 x2)
	Audio Set	Line-Out	Combo Jack x1
		Mic-in	-
Antenna Holes		X 2	
Kensington Lock Hole		-	
Watch Dog Timer		1 ~ 255 sec/min	
Adapter		60W (12V, 5A) AC Adapter	
Input Voltage		AC 100 ~ 240V	
Operating Temperature		-20°C ~ 60°C (-4°F ~ 140°F)	
Storage Temperature		-30°C ~ 70°C (-22°F ~ 158°F)	

Supports



*Please note that product specifications are subject to change without notice



AOPEN Headquarter
New Taipei City,
Taiwan

AOPEN America
San Jose,
USA

AOPEN Europe
Rosmalen,
Netherlands

AOPEN Australia
Melbourne,
Australia

AOPEN Japan
Tokyo,
Japan

AOPEN China
Shanghai,
China

v4.0